

### LIGHT FIXTURE LEGEND

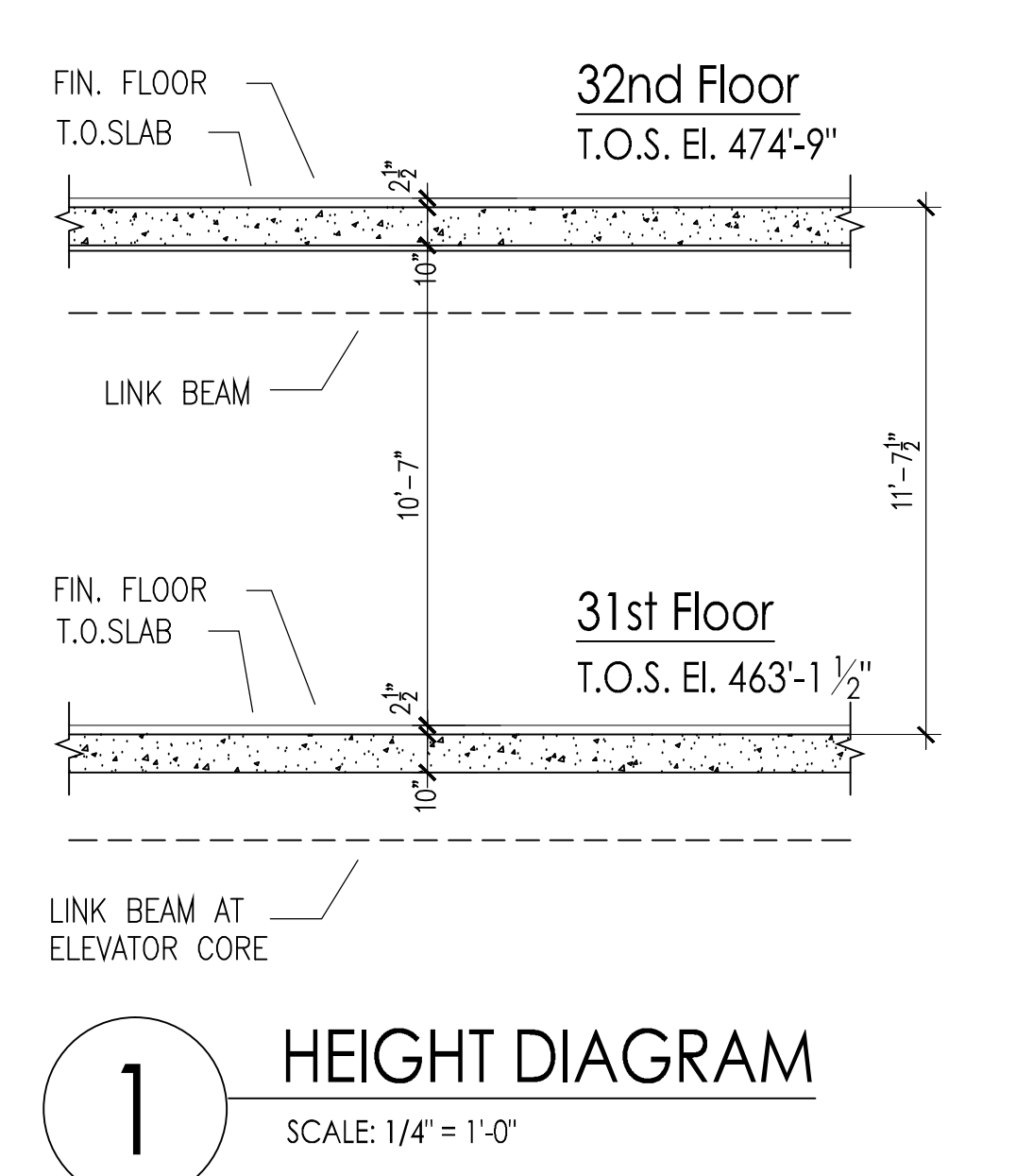
SP	CONCEALED SPRINKLER HEAD
SP	SIDEWALL SPRINKLER HEAD EXTENDED THROW
SP	SIDEWALL SPRINKLER HEAD
SP	SUPPLY AIR DIFFUSER
EXHAUST	EXHAUST
↑	SUPPLY AIR WALL DIFFUSER
↑ SP	SUPPLY AIR WALL DIFFUSER AND SIDEWALL SPRINKLER EXTENDED THROW
↑ SP	SUPPLY AIR WALL DIFFUSER AND SIDEWALL SPRINKLER HEAD
R-TA	WALL WASHER LIGHT
R-TB	DOWN LIGHT
R-TD	BATHROOM STRIP DOWNLIGHT
R-TF	VANITY MOUNTED LIGHT
R-TG	STRIP LIGHT
R-TH	WET LOCATION DOWNLIGHT
R-TK	KITCHEN STRIP DOWNLIGHT
R-TM	CUSTOM PENDANT LAMP
⊕	CEILING SWITCHED JUNCTION BOX
⊕*	CEILING JUNCTION BOX FOR WINDOW SHADES
R-IC	R-TC
R-TN	R-TN
R-TC1	R-TC1
R-TAJ	R-TAJ
R-TJ	R-TJ
R-TAE3	R-TAE3
⊕	RETURN AIR DIFFUSER
⊕	RETURN AIR CEILING SLOT
⊕	SMOKE DETECTOR

### REFLECTED CEILING - LEGEND

ALL DIMENSIONS ARE FROM FINISH FLOOR

- C 1 10'-7" AFF KADEX FINISH ON SLAB
- C 2 8'-9" AFF GYPSUM BD. HUNG CEILING
- C 3 9'-2" AFF GYPSUM BD. HUNG CEILING
- C 4 (PT06) 9'-10" AFF GYPSUM BD. HUNG CEILING
- C 5 8'-2" AFF GYPSUM BD. HUNG CEILING
- C 6 (ST04) 9'-6" AFF STONE / GLASS CEILING PANEL
- C 7 (PT06) 8'-6" AFF GYPSUM BD. HUNG CEILING
- C 8 (PT01) 7'-11" AFF WOOD CEILING PANEL
- C 8A 8'-0" AFF 3/8" AFF
- C 8B 7'-11" AFF GYPSUM BD. HUNG CEILING
- C 9 (PT06) 8'-6" AFF GYPSUM BD. HUNG CEILING
- C 10 8'-1 1/2" AFF KITCHEN CABINET SOFFIT - GYPSUM BD. HUNG CEILING

- PROVIDE O.P.G. @ GYP. BD. WALL PARTITION ABOVE CEILING WHERE REQ'D. FOR RETURN GRILLE TO HEAT PUMP. SEE MECH. DWGS.
- RETURN GRILL AT CEILING FASCIA
- FINAL LOCATIONS OF RETURN GRILLE AND OPENING IN PARTITION TO BE COORDINATED WITH MECH. DWGS.
- FINAL LOCATION OF SPRINKLER TO BE COORDINATED WITH THE FIRE PROTECTION PLANS.



NOTE:  
DIMENSION INFORMATION FOR BATHROOM LIGHTS,  
EXHAUST/SUPPLY AND ACCESS DOOR (WHERE  
INDICATED) - SEE DRAWING A-362.

PROJECT:  
**157 WEST 57TH STREET**  
NEW YORK  
NEW YORK

OWNER/DEVELOPER:  
**Extell West 57th Street LLC**  
865 THROCKMORPH AVENUE  
NEW YORK, NY 10022

DESIGN ARCHITECT:  
**Atelier Christian de Portzamparc**  
1, rue de l'Ancêtre  
Paris, France  
Tel: 33.1.40.64.80.00 Fax: 33.1.43.27.74.79

EXECUTIVE ARCHITECT:  
**SLCEArchitects, LLP**  
841 BROADWAY  
NEW YORK, N.Y. 10003  
TEL: (212) 974-8400  
FAX: (212) 974-8387

RESIDENTIAL INTERIOR DESIGN:  
**Thomas Juul-Hansen, LLC**  
180 Ludlow Street, 2nd Floor  
New York, NY 10013  
Tel: (212) 922-7109 Fax: (212) 929-2116

HOTEL INTERIOR DESIGN:  
**YABU PUSHSELBERG**  
55 Booth Avenue  
Toronto, ON Canada M4M 2K4  
Tel: (416) 778-9779 Fax: (416) 778-9747  
122 Spring Street, 4th Floor  
New York, NY 10012  
TEL: (212) 224-0866  
FAX: (212) 224-0666

STRUCTURAL ENGINEER:  
**WSP CANTOR SEINUK**  
228 East 40th Street, 3rd Floor  
N.Y.C. 10017-3003  
TEL: (212) 344-6664  
FAX: (212) 344-5531

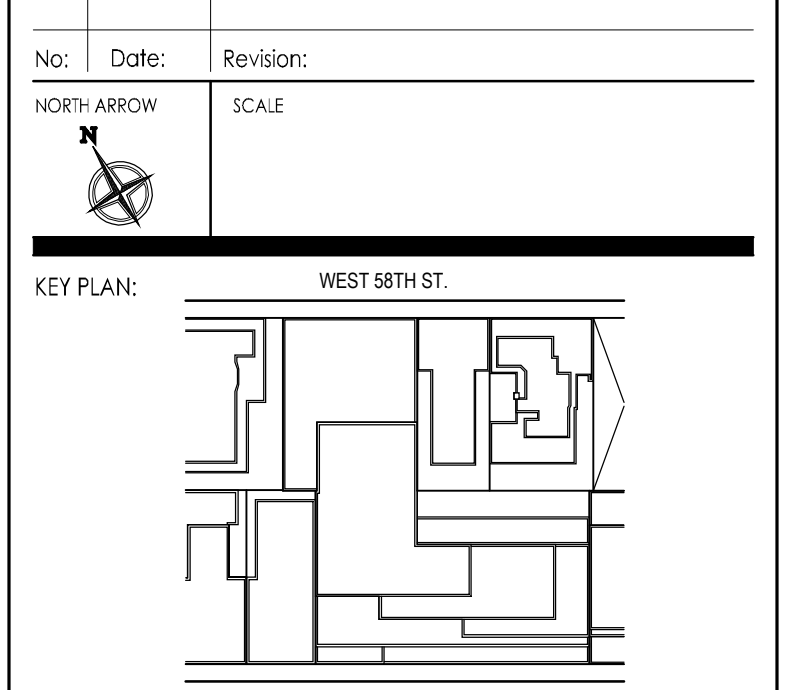
MEP ENGINEER:  
**AKF**  
1501 Broadway, Suite 700  
New York, NY 10036  
TEL: (212) 354-6664  
FAX: (212) 354-5668

EXTERIOR PERFORMANCE CONSULTANT:  
**Israel Berger Associates**  
632 Madison Ave.  
New York, NY 10016  
TEL: (212) 489-5389  
FAX: (212) 489-5389

FOOD SERVICE CONSULTANT:  
**NEXT STEP DESIGN, INC.**  
1116 West Street, Suite C  
Annapolis, MD 21401  
TEL: (410) 263-1200  
FAX: (410) 260-1340

LANDSCAPE ARCHITECTURE:  
**ferain-nyc**  
200 Park Avenue South, Suite 1401  
New York, NY 10003  
TEL: (212) 537-4000  
FAX: (212) 537-4070

07/23/13	ASG #330
07/19/12	ASG #312
04/15/12	BULLERY #3
10/31/11	BULLERY #7
10/25/11	REUSE ASG #175B
12/15/10	BULLERY #5
09/24/10	BULLERY #4
06/25/10	REVISION FOR CONSTRUCTION
03/29/10	65% CONSTRUCTION DOCUMENTS
03/22/10	60% CONSTRUCTION DOCUMENTS
02/29/10	50% CONSTRUCTION DOCUMENTS
01/26/10	REVISED DOB SUBMISSION



DRAWING TITLE:  
**31ST REFLECTED CEILING PLAN  
(CONSTRUCTION)  
41ST FLOOR - (MKTG.)**

SEAL & SIGNATURE: \_\_\_\_\_ DATE: \_\_\_\_\_  
PROJECT NO.: 2009-12  
DRAWN BY: \_\_\_\_\_ CHECKED BY: MPT  
DWG. NO.: \_\_\_\_\_

**A-537**  
157WEST57THST(2009-12)