

LIGHT FIXTURE LEGEND	
SP	CONCEALED SPRINKLER HEAD
SP	SIDEWALL SPRINKLER HEAD EXTENDED THROW
SP	SIDEWALL SPRINKLER HEAD
☒	SUPPLY AIR DIFFUSER
☒	EXHAUST
↑	SUPPLY AIR WALL DIFFUSER
↑SP	SUPPLY AIR WALL DIFFUSER AND SIDEWALL SPRINKLER EXTENDED THROW
↑SP	SUPPLY AIR WALL DIFFUSER AND SIDEWALL SPRINKLER HEAD
⊙	R-TA WALL WASHER LIGHT
⊙	R-TB DOWN LIGHT
▭	R-TD BATHROOM STRIP DOWNLIGHT
•	R-TF VANITY MOUNTED LIGHT
—	R-TG STRIP LIGHT
□	R-TH WET LOCATION DOWNLIGHT
---	R-TK KITCHEN STRIP DOWNLIGHT
⊕	R-TM CUSTOM PENDANT LAMP
⊙	CEILING SWITCHED JUNCTION BOX
⊙	CEILING JUNCTION BOX FOR WINDOW SHADES
R-TC	R-TC
R-TE	R-TE
R-TL	R-TL
R-TN	R-TN
R-TC1	R-TC1
⊙	R-TB1
⊕	R-TAJ
⊙	R-TJ
⊙	R-TAE3
☒	RETURN AIR DIFFUSER
—	RETURN AIR CEILING SLOT
⊙	SMOKE DETECTOR

REFLECTED CEILING - LEGEND

ALL DIMENSIONS ARE FROM FINISH FLOOR

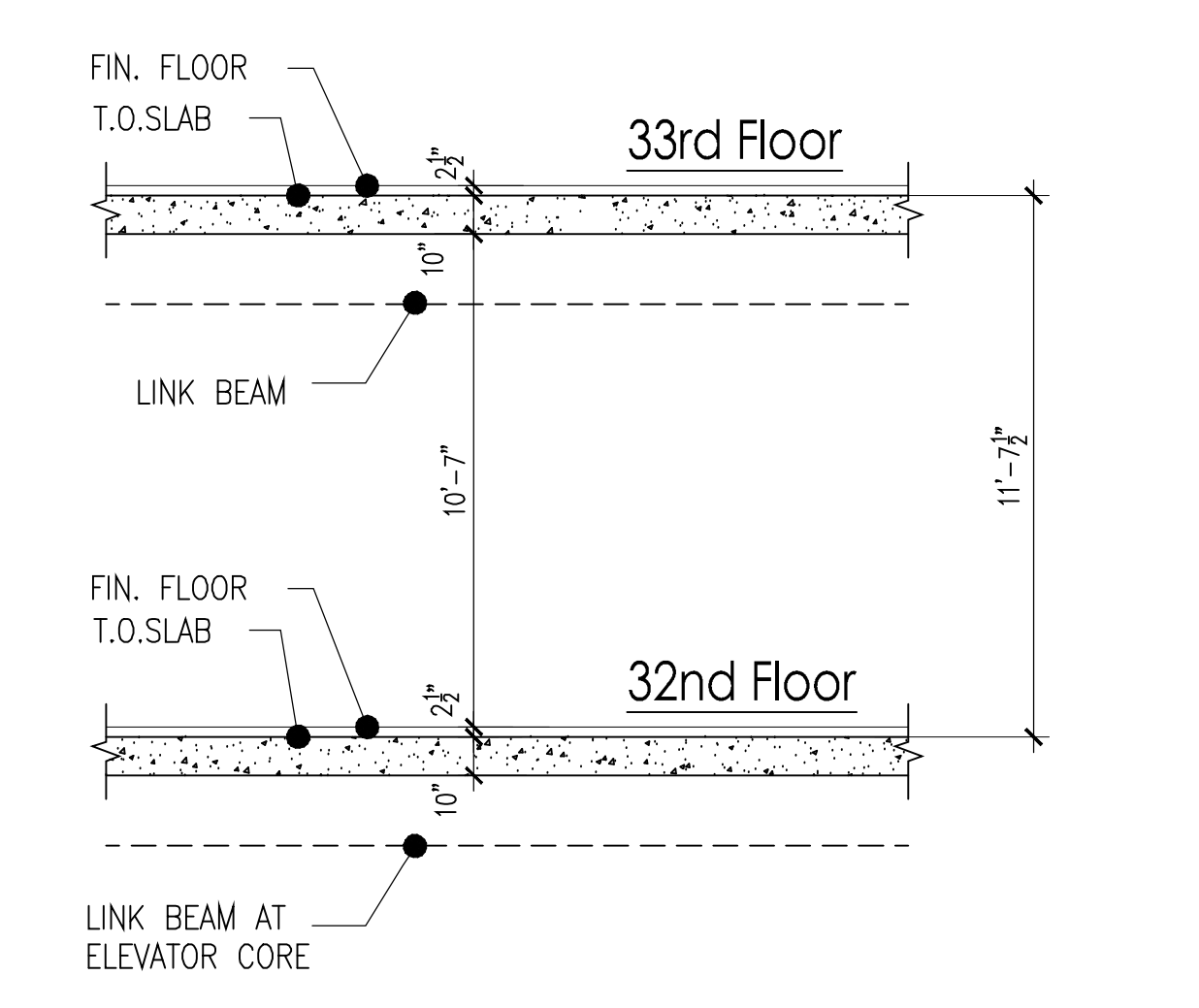
- C 1 10'-7" AFF KADEX FINISH ON SLAB
- C 2 8'-9" AFF GYPSUM BD. HUNG CEILING
- C 3 9'-2" AFF GYPSUM BD. HUNG CEILING
- C 4 9'-10" AFF (PT06) GYPSUM BD. HUNG CEILING
- C 5 8'-2" AFF (PT01) WOOD CEILING PANEL
- C 6 9'-6" AFF (ST06) STONE / GLASS CEILING PANEL
- C 7 8'-6" AFF (PT06) GYPSUM BD. HUNG CEILING
- C 8 7'-11" AFF (PT01) WOOD CEILING PANEL
- C 8A 8'-0 3/8" AFF
- C 8B 7'-11" AFF GYPSUM BD. HUNG CEILING
- C 9 8'-6" AFF (PT06) GYPSUM BD. HUNG CEILING
- C 10 8'-1 1/2" AFF KITCHEN CABINET SOFFIT - GYPSUM BD. HUNG CEILING

--- PROVIDE OEG. @ GYP. BD. WALL PARTITION ABOVE CEILING WHERE REQ'D. FOR RETURN GRILLE TO HEAT PUMP, SEE MECH. DWGS.

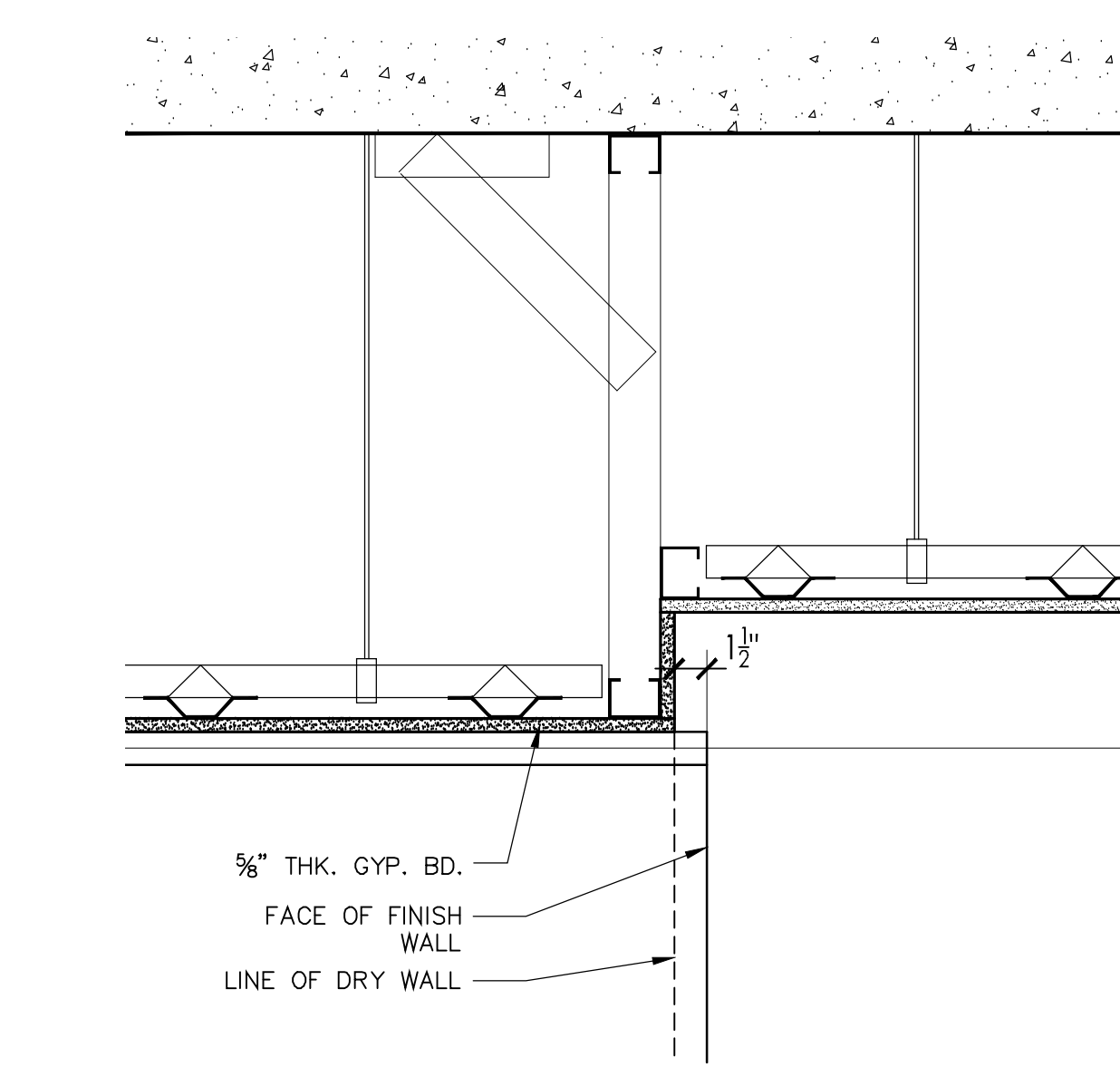
--- RETURN GRILL AT CEILING FASCIA

--- FINAL LOCATIONS OF RETURN GRILLE AND OPENING IN PARTITION TO BE COORDINATED WITH MECH. DWGS.

--- FINAL LOCATION OF SPRINKLER TO BE COORDINATED WITH FIRE PROTECTION PLANS.

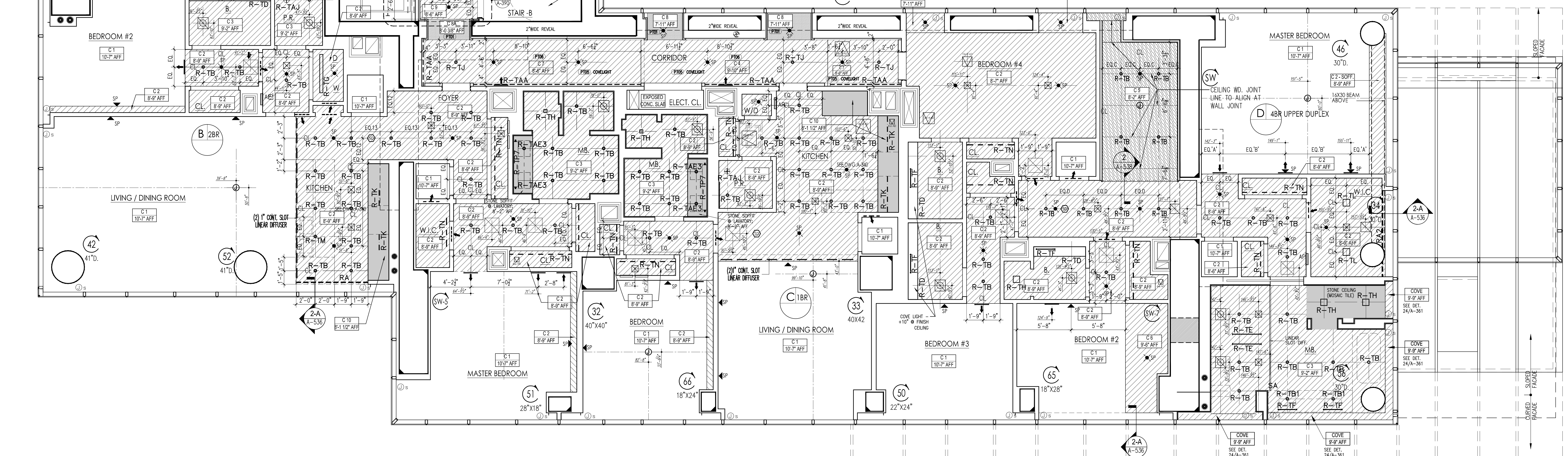


1 HEIGHT DIAGRAM
SCALE: 1/4" = 1'-0"



2 CEILING TRANSITION DET. @ STAIR
SCALE: 1/4" = 1'-0"

NOTE: DIMENSION INFORMATION FOR BATHROOM LIGHTS, EXHAUST/SUPPLY AND ACCESS DOOR (WHERE INDICATED) - SEE DRAWING A-362.



PROJECT: **157 WEST 57TH STREET**
NEW YORK
NEW YORK

OWNER/DEVELOPER: **Extell West 57th Street LLC**
865 THIRD AVENUE
NEW YORK, NY 10022

DESIGN ARCHITECT: **Atelier Christian de Portzamparc**
1, rue de l'Ancêtre
Paris, France
TEL: 33.1.40.64.80.00 Fax: 33.1.43.27.74.79

EXECUTIVE ARCHITECT: **SLCEArchitects, LLP**
841 BROADWAY
NEW YORK, N.Y. 10003
TEL: (212) 979-8400
FAX: (212) 979-8387

RESIDENTIAL INTERIOR DESIGN: **Thomas Juul-Hansen, LLC**
180 Lafayette Street, 7th Floor
New York, NY 10013
Tel: (212) 929-7109 Fax: (212) 929-7116

NOTE: INTERIOR DESIGN: **YABU PUSHSELBERG**
55 South Avenue
Toronto, ON Canada M4M 2K4
Tel: (416) 778-9779 Fax: (416) 778-9747
123 Spring Street, 4th Floor
New York, NY 10012
Tel: (212) 224-0886
FAX: (212) 224-0664

STRUCTURAL ENGINEER: **WSP CANTOR SEINUK**
228 East 40th Street, 3rd Floor
N.Y. N.Y. 10016-3303
TEL: (212) 344-6664
TEL: (212) 487-9886
FAX: (212) 487-5201

MEP ENGINEER: **AKF**
1501 Broadway, Suite 700
New York, NY 10036
TEL: (212) 354-6664
FAX: (212) 354-5668

EXTERIOR PERFORMANCE CONSULTANT: **Israel Berger Associates**
632 Madison Ave.
New York, NY 10016
TEL: (212) 489-5389
FAX: (212) 489-5389

FOOD SERVICE CONSULTANT: **NEXT STEP DESIGN, INC.**
1116 West Street, Suite C
Annapolis, MD 21401
TEL: (410) 263-1200
FAX: (410) 260-1340

LANDSCAPE ARCHITECTURE: **terrain-nyc**
200 Park Avenue South, Suite 1401
New York, NY 10003
TEL: (212) 537-4080
FAX: (212) 537-4079

NO. Date: Revision:

REVISIONS:

- 05/03/13 AS# F398
- 02/25/13 AS# F356
- 07/31/13 AS# F350
- 07/19/12 AS# F272
- 04/15/12 BULLETS #3
- 10/31/11 BULLETS #7
- 10/25/11 ISSUE #48 #7#3
- 12/15/10 BULLETS #5
- 09/24/10 BULLETS #4
- 06/25/10 REVISION FOR CONSTRUCTION
- 03/29/10 AS# CONSTRUCTION DOCUMENTS
- 03/22/10 AS# CONSTRUCTION DOCUMENTS
- 01/29/10 AS# CONSTRUCTION DOCUMENTS
- 01/26/10 REVIEWED DOB SUBMISSION
- 12/15/09 AS# CONSTRUCTION DOCUMENTS
- 08/26/09 ISSUE DESIGN DEVELOPMENT

NO. Date: Revision:

SCALE: 1/4" = 1'-0"

KEY PLAN:

DRAWING TITLE: **32ND REFLECTED CEILING PLAN (CONSTRUCTION)**
42ND FLOOR - (MKTG.)

SEAL & SIGNATURE: _____ DATE: 2009-12
PROJECT NO.: 2009-12
DRAWN BY: _____ CHECKED BY: _____
DWG. NO.: **A-538**
T:\PROJECTS\157 WEST 57TH\00012